

SPECIFICATIONS:

1. RATING (MAXIMUM RATING):

- 400A CAPACITY
- 100A PER INPUT STUD (M8)
- 30A PER OUTPUT TERMINAL
- 100A PER OUTPUT CONNECTOR

2. MAXIMUM TORQUE:

- M8 INPUT STUD: 216 IN-LBS (18 FT-LBS)
- MOUNTING: 24 IN-LBS (2 FT-LBS)

3. OPERATING TEMPERATURE: -40°F (-40°C) TO 221°F (105°C)

4. INGRESS PROTECTION: IP55

5. OUTPUT TERMINAL: DELPHI METRI-PACK 280 SERIES (SEALED TANG OR TANGLESS)

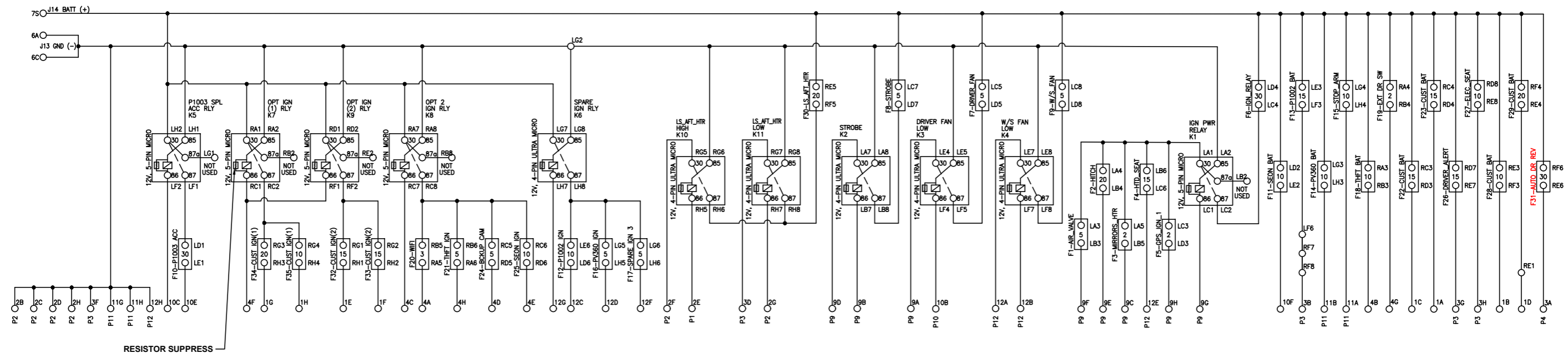
6. DELPHI METRI-PACK 280 SERIES CAVITY PLUGS ARE INSTALLED WHERE WIRES ARE NOT USED.

PART NO. BUSS2212-0

METRIC(mm)

THIS IS A CAD DRAWING - DO NOT MANUALLY REVISE

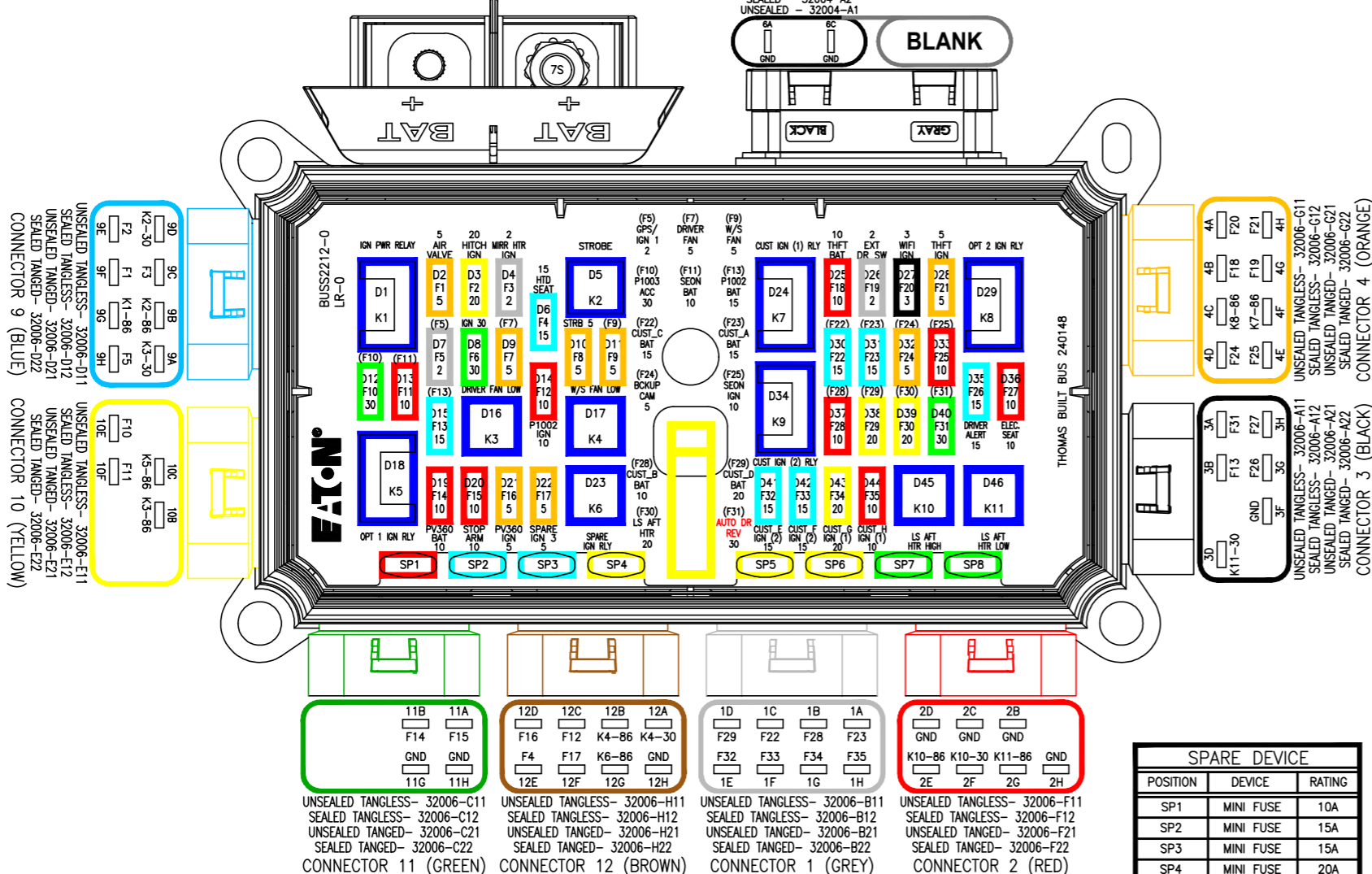
REV #	REVISIONS	DATE	APPR.
0	INITIAL RELEASE FOR CUSTOMER REVIEW CO-XXXXXX	12-19 2022	A.L
1	F4 "HTD SEAT" WAS "HTD SEAT/RD LT".	02-17-23	A.L
2	F31 "AUTO DR REV" WAS "EXT DR SW".	02-23-23	A.L



RESISTOR SUPPRESS

CONNECTOR 6 (BLACK)  
SEALED - 32004-A2  
UNSEALED - 32004-A1

BLANK



UNSEALED TANGLESS- 32006-D11  
SEALED TANGLESS- 32006-D12  
UNSEALED TANG- 32006-D21  
SEALED TANG- 32006-D22  
CONNECTOR 9 (BLUE)

UNSEALED TANGLESS- 32006-E11  
SEALED TANGLESS- 32006-E12  
UNSEALED TANG- 32006-E21  
SEALED TANG- 32006-E22  
CONNECTOR 10 (YELLOW)

UNSEALED TANGLESS- 32006-C11  
SEALED TANGLESS- 32006-C12  
UNSEALED TANG- 32006-C21  
SEALED TANG- 32006-C22  
CONNECTOR 11 (GREEN)

UNSEALED TANGLESS- 32006-H11  
SEALED TANGLESS- 32006-H12  
UNSEALED TANG- 32006-H21  
SEALED TANG- 32006-H22  
CONNECTOR 12 (BROWN)

UNSEALED TANGLESS- 32006-B11  
SEALED TANGLESS- 32006-B12  
UNSEALED TANG- 32006-B21  
SEALED TANG- 32006-B22  
CONNECTOR 1 (GREY)

UNSEALED TANGLESS- 32006-F11  
SEALED TANGLESS- 32006-F12  
UNSEALED TANG- 32006-F21  
SEALED TANG- 32006-F22  
CONNECTOR 2 (RED)

POSITION	DEVICE	RATING
SP1	MINI FUSE	10A
SP2	MINI FUSE	15A
SP3	MINI FUSE	15A
SP4	MINI FUSE	20A
SP5	MINI FUSE	20A
SP6	MINI FUSE	20A
SP7	MINI FUSE	30A
SP8	MINI FUSE	30A

POSITION	REFERENCE	DEVICE
D1	K1	12V, 5-PIN MICRO
D2	F1	MINI FUSE - 5A
D3	F2	MINI FUSE - 5A
D4	F3	MINI FUSE - 20A
D5	K2	12V, 4-PIN ULTRA MICRO
D6	F4	MINI FUSE - 15A
D7	F5	MINI FUSE - 2A
D8	F6	MINI FUSE - 30A
D9	F7	MINI FUSE - 5A
D10	F8	MINI FUSE - 5A
D11	F9	MINI FUSE - 5A
D12	F10	MINI FUSE - 30A
D13	F11	MINI FUSE - 10A
D14	F12	MINI FUSE - 10A
D15	F13	MINI FUSE - 15A
D16	K3	12V, 4-PIN ULTRA MICRO
D17	K4	12V, 4-PIN ULTRA MICRO
D18	K5	12V, 5-PIN MICRO
D19	F14	MINI FUSE - 10A
D20	F15	MINI FUSE - 10A
D21	F16	MINI FUSE - 5A
D22	F17	MINI FUSE - 5A
D23	K6	12V, 4-PIN ULTRA MICRO
D24	K7	12V, 5-PIN MICRO
D25	F18	MINI FUSE - 10A
D26	F19	MINI FUSE - 2A
D27	F20	MINI FUSE - 3A
D28	F21	MINI FUSE - 5A
D29	K8	12V, 5-PIN MICRO
D30	F22	MINI FUSE - 15A
D31	F23	MINI FUSE - 15A

POSITION	REFERENCE	DEVICE
D32	F24	MINI FUSE - 5A
D33	F25	MINI FUSE - 10A
D34	K9	12V, 5-PIN MICRO
D35	F26	MINI FUSE - 15A
D36	F27	MINI FUSE - 10A
D37	F28	MINI FUSE - 10A
D38	F29	MINI FUSE - 20A
D39	F30	MINI FUSE - 20A
D40	F31	MINI FUSE - 30A
D41	F32	MINI FUSE - 15A
D42	F33	MINI FUSE - 15A
D43	F34	MINI FUSE - 20A
D44	F35	MINI FUSE - 10A
D45	K10	12V, 4-PIN ULTRA MICRO
D46	K11	12V, 4-PIN ULTRA MICRO

DEVICE	PART #	RATING
4-PIN ULTRA MICRO	B120-7022-SRV	12V/20A
5-PIN MICRO	B120-7016-SRV	12V, 35A NO/20A NC
MINI FUSE	BK-ATM-2	2A
MINI FUSE	BK-ATM-3	3A
MINI FUSE	BK-ATM-5	5A
MINI FUSE	BK-ATM-10	10A
MINI FUSE	BK-ATM-15	15A
MINI FUSE	BK-ATM-20	20A
MINI FUSE	BK-ATM-30	30A
FUSE PULLER	32013BS	-
COVER	BK-32103-3	-

MATERIAL

TOLERANCES UNLESS OTHERWISE SPECIFIED

METRIC TOL	ENGLISH TOL	THIRD ANGLE PROJECTION
1 PL DEC.=±.25 2 PL DEC.=±.13	2 PL DEC.=±.01 3 PL DEC.=±.005	ANGULAR TOL=±2° FRACTION TOL=±1/64 IN

FINISH

POWER DISTRIBUTION MODULE ASSEMBLY, CEEA+ (240148)

DATE 12/19/22

PART NO. BUSS2212-0

POWER DISTRIBUTION MODULE ASSEMBLY, CEEA+ (240148)

DATE 12/19/22

PART NO. BUSS2212-0

SHEET 1 OF 1