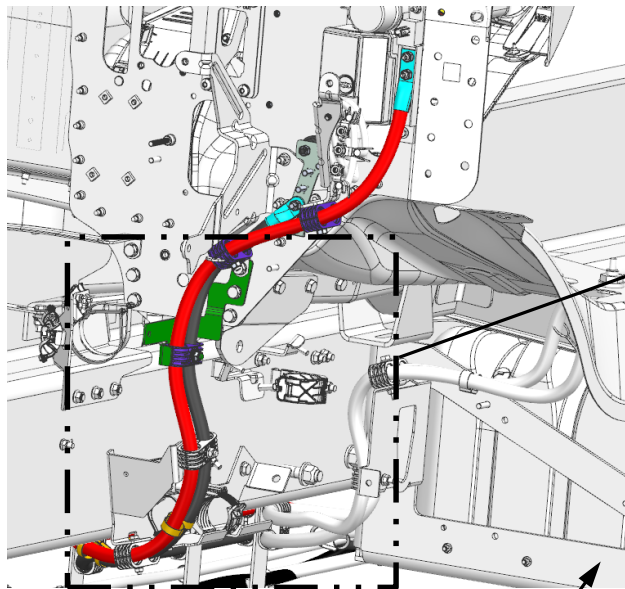


CLIPPING AND HARDWARE THAT IS SHOWN IN LIGHT GRAY COLOR IS LOCATED IN MODULE 923 OR ANOTHER MODULE

VIEW O1



FWD

REF MOD 290

REF MOD 923

401 500 500

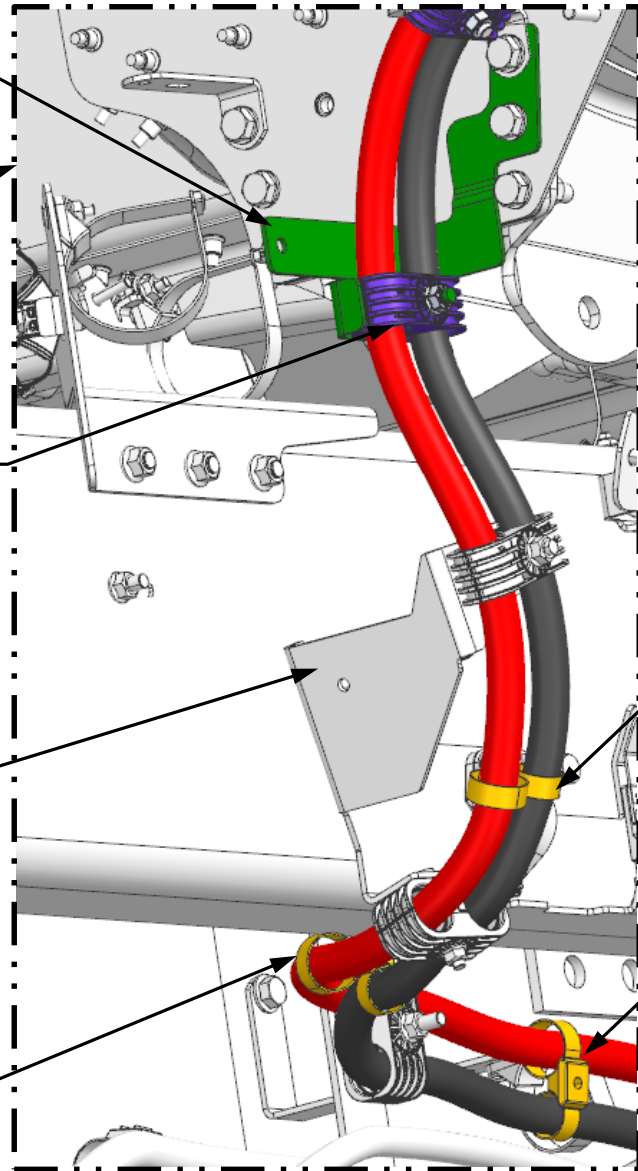
103

505

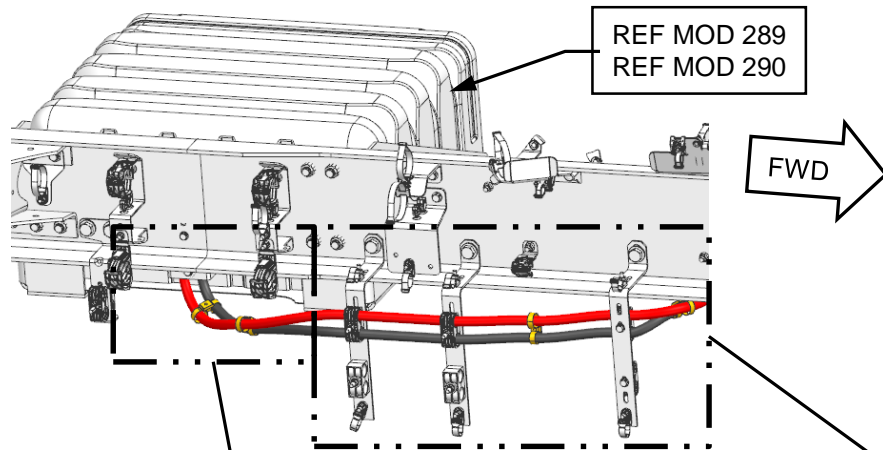
505

505

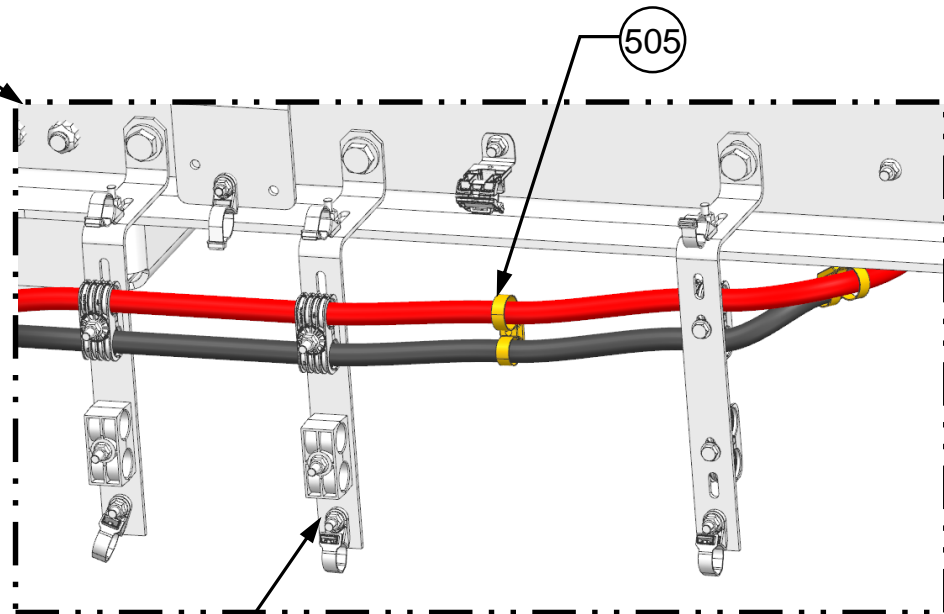
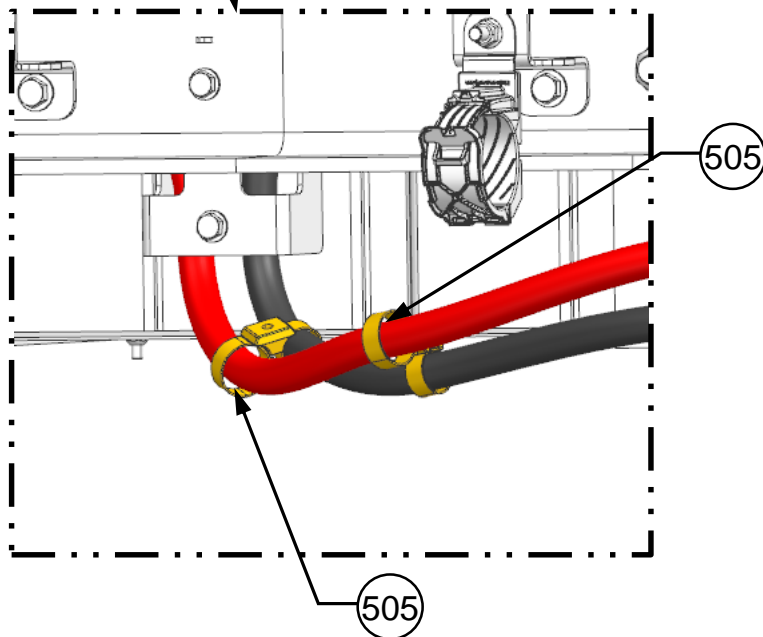
CLIPPING AND HARDWARE THAT IS SHOWN IN LIGHT GRAY COLOR IS LOCATED IN MODULE 923 OR ANOTHER MODULE



VIEW O2

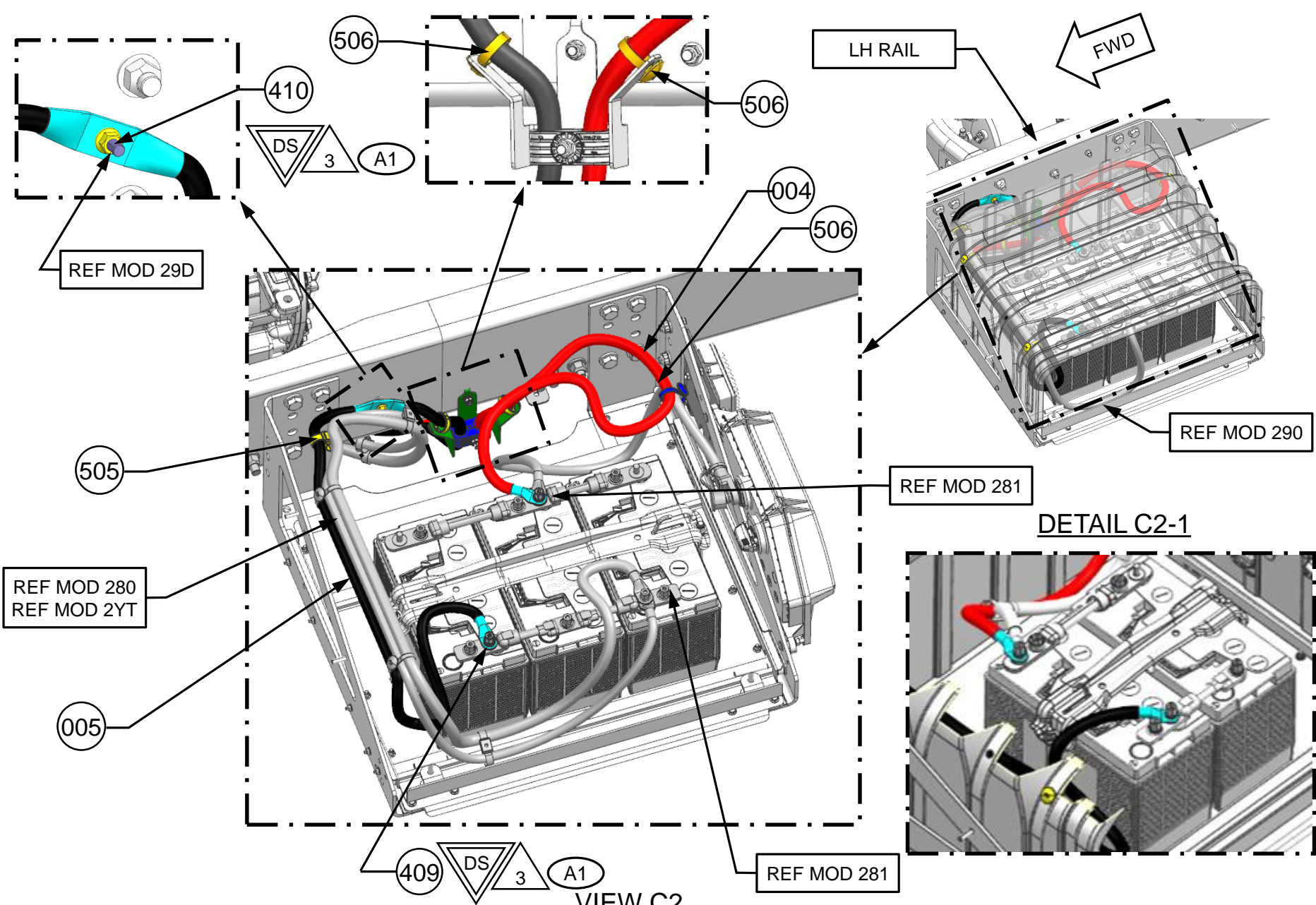


CLIPPING AND HARDWARE THAT IS SHOWN IN LIGHT GRAY COLOR IS LOCATED IN MODULE 923 OR ANOTHER MODULE



REF MOD 923

VIEW C1



THREE BATTERY CONFIGURATION IS SHOWN. IF TWO BATTERIES, CONNECT AS SHOWN IN DETAIL C2-1