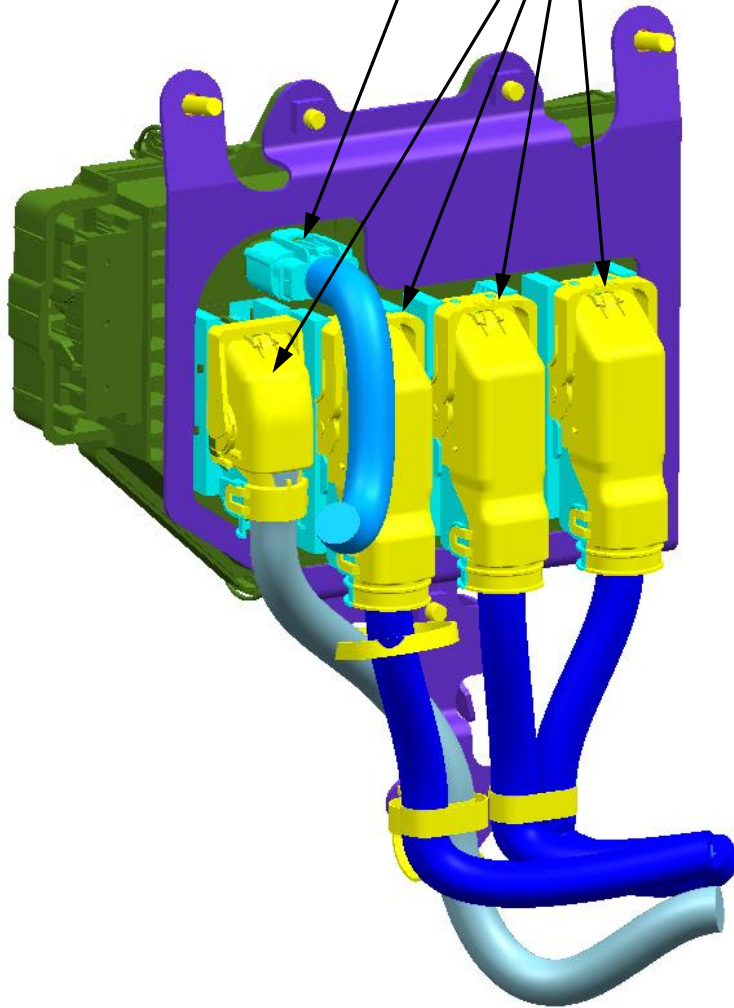


VIEW O

CONNECT MAIN DASH HARNESS (REF MOD 320) TO THE VPDM.

CONNECT THE 4 CONNECTORS FROM THE CHASSIS HARNESS (REF MOD 288) TO THE VPDM.



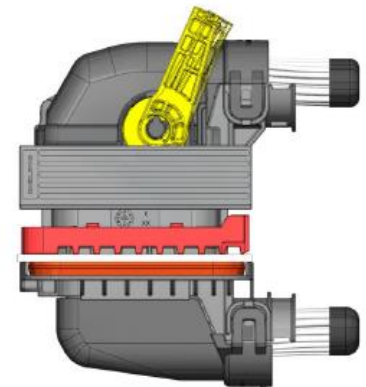
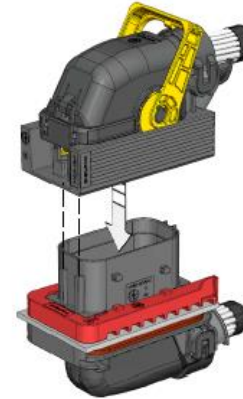
DETAIL 01

CONNECTOR INSTALLATION
SOME PARTS HIDDEN FOR CLARITY

Lever Lock Style Connection Instructions

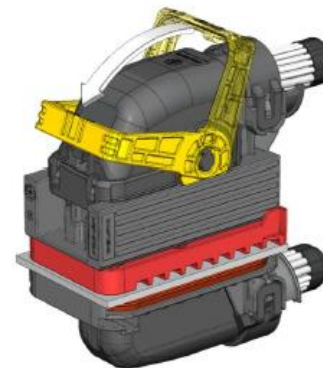
IMPORTANT! IF THE INDEXES DON'T LINE UP, DO NOT CONTINUE

FEATURES IN MALE ASSEMBLY WILL RELEASE LEVER FROM ITS PRE-STAGE POSITION

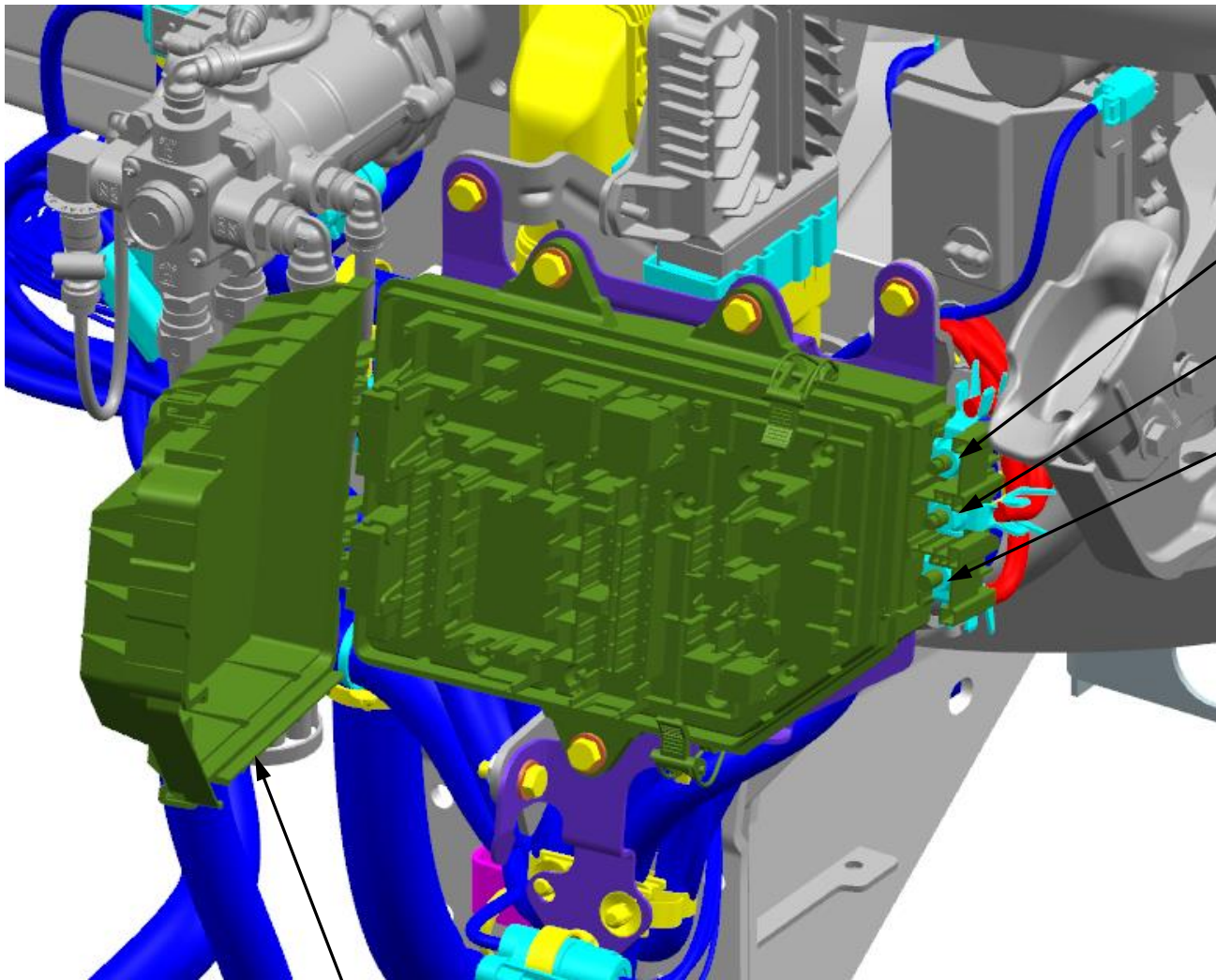


ROTATE LEVER AS SHOWN BELOW AND FASTEN IT ONTO THE COVER LOCK

VERIFY AUDIBLE CLICK



CONNECTION SYSTEM ASSEMBLY - COMPLETED



403



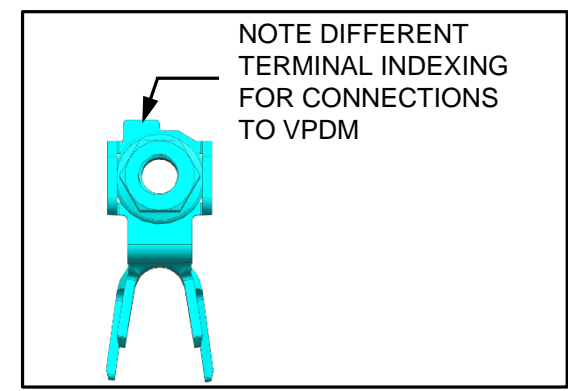
403



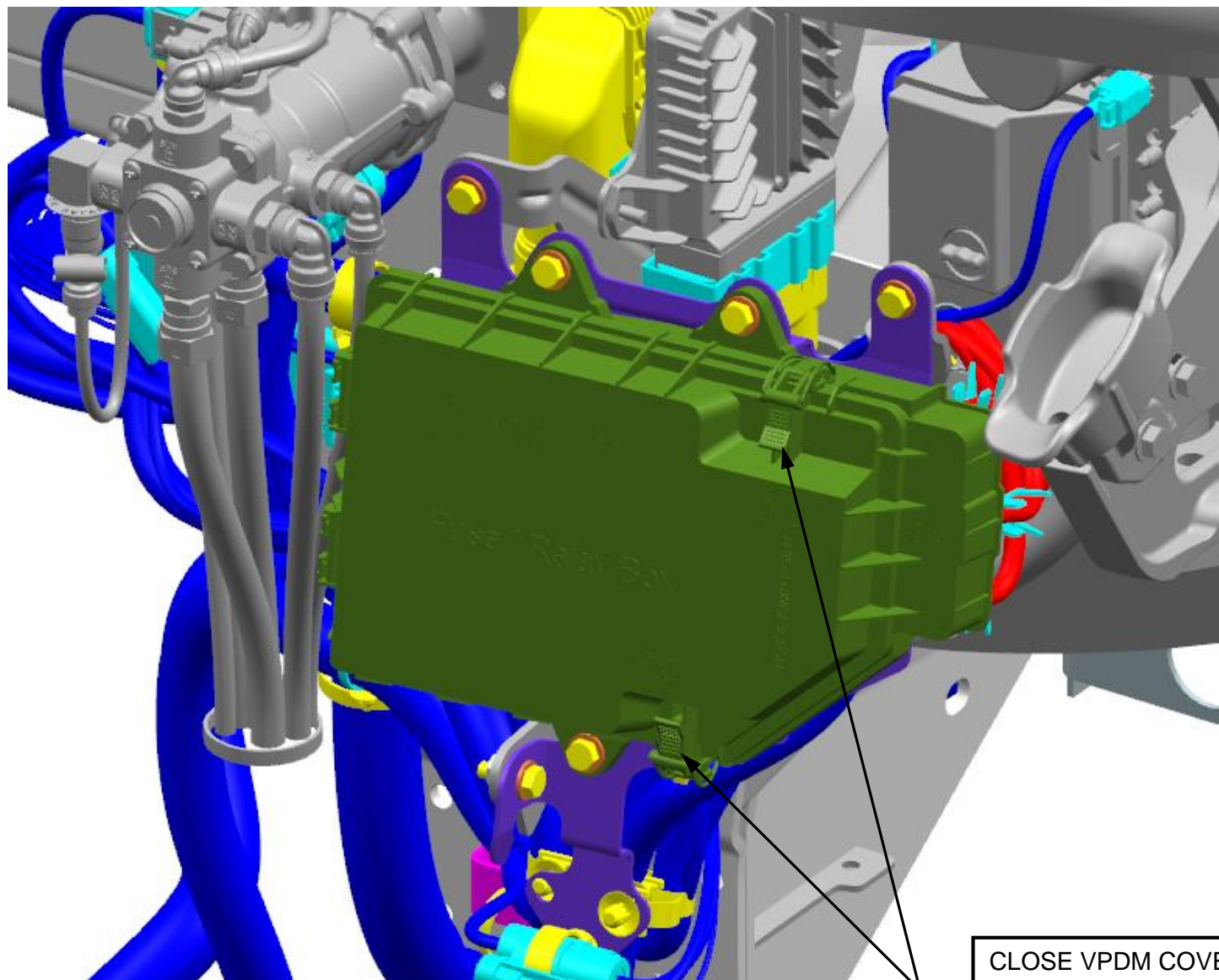
403



OPEN VPDM COVER



DETAIL O2



CLOSE VPDM COVER. ENSURE THE LATCHES ARE FULLY IN THE CLOSED POSITION.

DETAIL O3