

# XMC

## XMC\_X1

### Connector

233362 CONNECTOR, MQS W/ LEVER, 40 POS, FEMALE, BLK, TE, 1-968321-2

233364 CONNECTOR INSERT, MQS, 20 POS, FEMALE, GRAY, TE, 2-968322-1

233365 CONNECTOR INSERT, MQS, 20 POS, FEMALE, BLK, TE, 1-968322-1

### Terminal

233363 TERMINAL, MQSO 63, 18-20 GA, UNSEALED, FEMALE, SN, TE, 5-963715-1

## XMC\_X2

### Connector

233367 CONNECTOR, MQS W/ LEVER LOCK, 52 POS, FEMALE, BLK, TE, 1-968325-3

233368 CONNECTOR INSERT, MQS, 26 POS, FEMALE, BLK, TE, 1-968326-1

233369 CONNECTOR INSERT, MQS, 26 POS, FEMALE, GRAY, TE, 2-968326-1

### Terminal

233363 TERMINAL, MQSO 63, 18-20 GA, UNSEALED, FEMALE, SN, TE, 5-963715-1

## XMC\_X3

### Connector

233371 CONNECTOR, JPT, 21 POS, FEMALE, UNSEALED, TE, 1-967625-1

### Terminal

237257 TERMINAL, FEMALE, JPT, 16-20GA, TE, 927775-1

233372 TERMINAL, FEMALE, JPT, 14-16GA, TE, 927768-1

## XMC\_X4

### Connector

233374 CONNECTOR, KOSTAL, 2 POS, FEMALE, UNSEALED, KOS, 0400525461

### Terminal

243637 Kostal 23124472350 - Female LSK 8 Unsealed Silver Plated Terminal, Cable Range 4.0 - 6.0 mm2

233375 TERMINAL-FEMALE, LSK8, S-PLD, 6-10, VER-A, UNSEALED, KOS2 31 24 49218 0

# Aux BCA

240854 RING TERMINAL-FLAG TYPE, 5/16 STUD, 6 GA, JEI, 06UPFFG

61202002 TERMINAL, RING TONGUE, 12-10 AWG, 3/8 STUD, TE-322242

220267 RING TERMINAL, 2/0 GA 3/8" STUD 45 DEG, NON INSULATED, JULIAN, 20TPT-45 OR EQUIVALENT

241938 LUG TERM-2/0, (2) M8 HOLE, 90 DEG, JEI28SP1614

# Terminating Resistor

125604 CPA LOCK, GT 150 PACKARD, 15317832

182909 WIRE SEAL, LOOSE, WHITE GT150 SEALED, DELPHI PACKARD 15366021

182943 CONNECTOR, GT 150 2 PIN FEMALE SEALED, DELPHI PACKARD, 15326801

196994 TERMINAL, GT 150 20-22 GA SEALED FEMALE, PACKARD, 12191818

221134 CONNECTOR, 2 WAY BLACK GT 150 SEALED MALE CONNECTOR, 120 OHM RESISTOR CAP, DELPHI PACKARD, 15429045

# Start Point

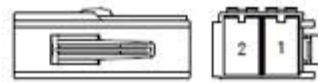
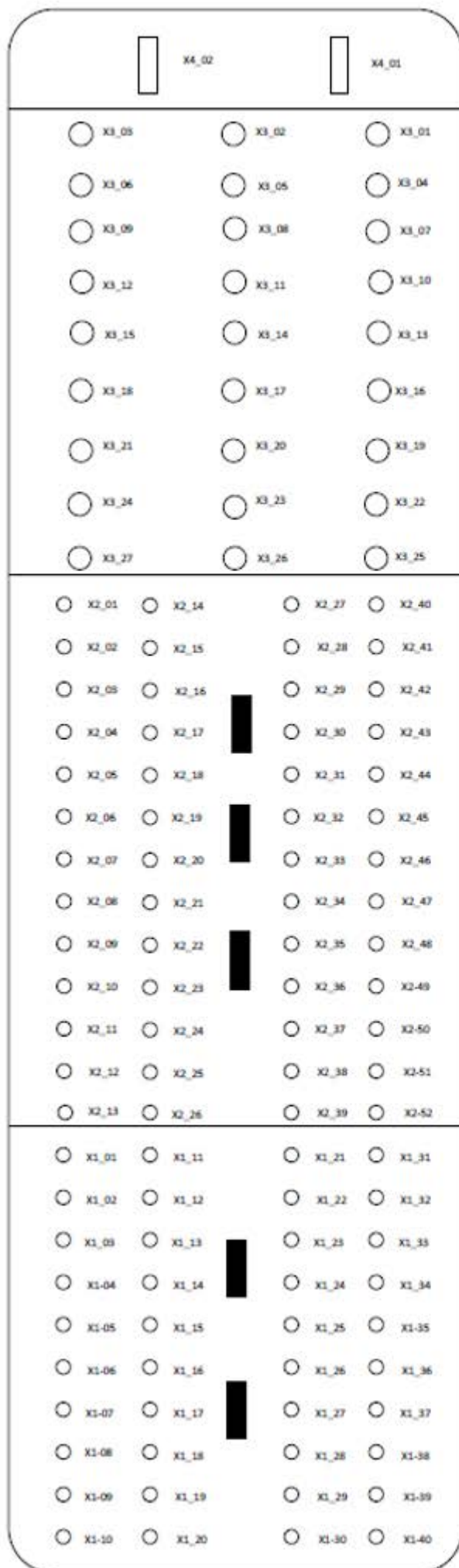
243624 AMP MCP 2.8, CONTACT SWS,20-17AWG,1-968855-1

243631 FEMALE\_CONNECTOR, C-1-1534127-1-F-3D

243632 TERMINAL SEAL C-828904-2

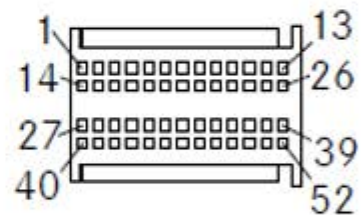
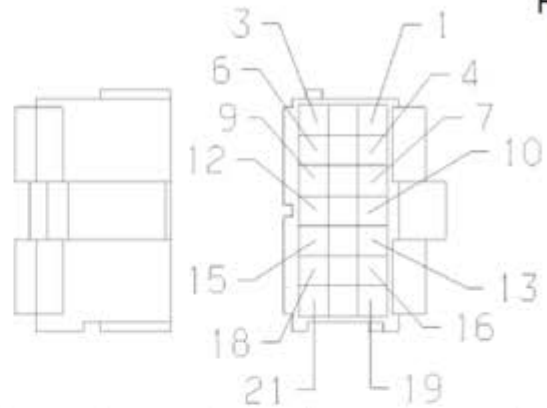
243684 COVER F.21P REC-HSG, 9-1394050-1

# Pin Assignment

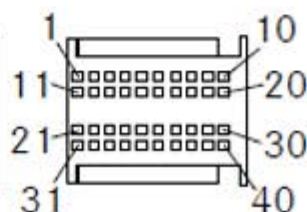


DASH\_H\_XMC2\_X4  
23-13152-222

REV: H,B



DASH\_H\_XMC2\_X2  
A23-13361-037



DASH\_H\_XMC2\_X1  
A23-13361-036